

# JVC

## 5 Megapixel 21.3" Monochrome Dual Monitor MS-S500 Dualstand

The gold standard in medical imaging



**i3** for Medical Imaging  
**SERIES**

5MP

21.3"

3000  
cd/m<sup>2</sup>

2000:1

DisplayPort  
&  
DVI-D

Calibration  
Function

Front  
Sensor

15MsP  
Drive

Uniformity  
Equalizer

DisplayPort  
Daisy  
Chains

Human  
Presence  
Sensor

LED  
Backlight

Reading  
Light

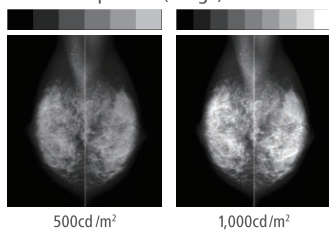
Protective  
Glass  
Filter

# 5 Megapixel 21.3" Monochrome Dual Monitor MS-S500 Dualstand

## Improved Diagnostic Visibility

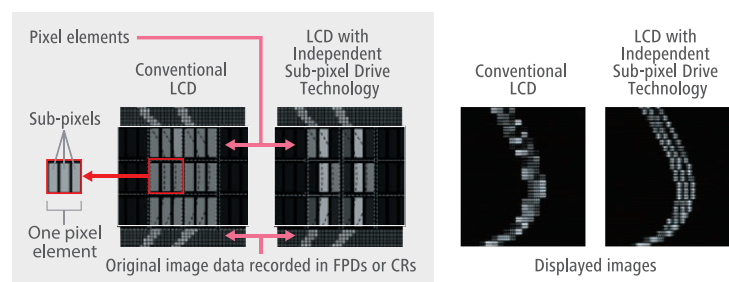
MS-S500 Dualstand comes with 1,000 cd/m<sup>2</sup> calibration to make it the best solution for breast tomosynthesis imaging. The brighter screen dramatically increases the number of perceptual grayscale steps to improve visibility of microcalcifications, tumors and structures. Mammography diagnostic reading will be much more efficient.

Visual comparison (image)



## Independent Sub-pixel Drive Technology

This unique technology enables MS-S500 Dualstand to render 15 mega sub-pixel images, exceeding the current standards for primary mammography diagnosis. The MS-S500 Dualstand is cleared for FDA 510(k) for the use of digital mammography and breast tomosynthesis.

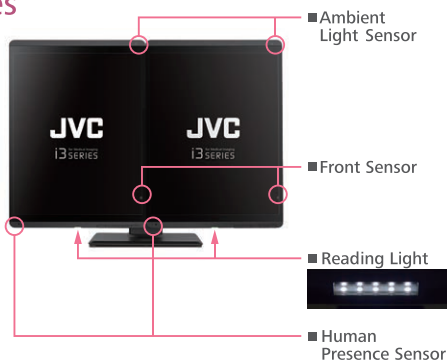


\*Customized viewer is required

\*Independent Sub pixel Drive technology is built in MS series only

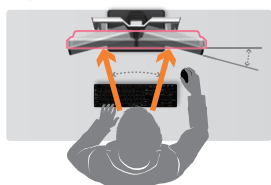
## Advanced Features

- Protective Glass Filter
- Reading Light
- LED Indicator / Front Buttons
- Built-in Sensor
- Space Saving
- Wire Management / DisplayPort Daisy Chains
- DICOM Conformance Check



## Position Adjustments Made Easy

The MS-S500 Dualstand integrates two 21.3" monitors into one set for a better ergonomic reading environment. The light dual-stand allows users to adjust the height and angle of two monitors easily and finely.



• "JVC" is a brand of medical and industrial monitors manufactured and sold by JVC KENWOOD Corporation. • Company names and product names are the registered trademarks of the respective companies. • Product specifications and appearance are subject to change without notice. • Colors in photographs may differ from actual colors due to the printing process. • Images on screens are simulated.

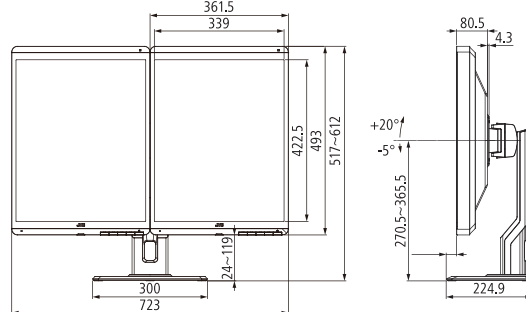
## Specifications for single monitor

|                    |                              |   |
|--------------------|------------------------------|---|
| LCD Panel          | Technology                   | 21.3" monochrome TFT IPS technology   |
|                    | Display Area                 | 337.9 mm × 422.4 mm   |
|                    | Pixel Pitch                  | 0.165 mm × 0.165 mm   |
|                    | Maximum Luminance            | 3000 cd/m <sup>2</sup> (typ.)<br>500 cd/m <sup>2</sup> / 1000 cd/m <sup>2</sup> (calibrated)  |
|                    | Contrast Ratio               | 2000 : 1 (typ.)   |
| Viewing Angle      | 178° vertical and horizontal |   |
|                    | Native Resolution            | 2048 × 2560 (Independent Sub-pixel Drive technology ON : 2048 × 7680)   |
| Visual Performance | Display Colors               | 256 shades of grayscale are simultaneously displayed from a palette of 16,369 grayscale steps<br>*1024 or 10-bit shades of grayscale with DisplayPort and 10-bit viewer<br>*1276 shades of grayscale by using Independent Sub-pixel Drive technology    |
|                    | Interface                    | Input Signal: DVI-D (DVI 1.0 compliant)<br>DisplayPort (DisplayPort 1.2a compliant)<br>Output Signal: DisplayPort (DisplayPort 1.2a compliant)<br>Plug and Play: DDC2B compliant  |
| Input Power Supply | Input Power Supply           | 100 V - 240 V 50 / 60 Hz  |
|                    | Power Consumption            | 35W (typ.)  |
| Features           | Calibration Control          | Luminance, Gamma<br>Capable of storing 3 sets of LUT (Optional Calibration Kit is required)   |
|                    | OSD Information Display      | Model name, Serial No., Total operating time, Calibration settings (Operating time since last calibration, Luminance, Gamma), Current Luminance, Ambient light, DICOM conformance   |
|                    | USB Hub                      | USB Rev.2 compliant, Self-powered<br>USB upstream connector (×1), USB downstream connector (×2)   |
|                    | Other Features               | Uniformity Equalizer, Hardware pivot, LED indicator, Advanced power management, Human Presence Sensor, Independent Sub-pixel Drive technology, Auto Text Mode, Reading Light, Luminance stabilization, Multiple LUT, Self DICOM check, Self-calibration |

## MS-S500 Dualstand

|                          |   |                                |
|--------------------------|---|--------------------------------|
| Approvals                | ANSI/AAMI ES60601-1 (2005) + A1 (2012), CAN/CSA-C22.2 No. 60601-1 (2014), CE (EN60601-1, EN60601-1-2), FCC Part15 subpart B Class B, ICES-003-B, VCCI-B, RCM, J-Moss, RoHS, EAC |                                |
| FDA                      | 510(k) Cleared to use for diagnostic purposes with digital medical images for Digital mammography PACS, Modalities including FDM, and Breast tomosynthesis                      |                                |
| Physical Characteristics | Dimensions(W×H×D)   | 723 mm × 517-612 mm × 224.9 mm |
|                          | Weight  | approx. 18.1 kg                |
|                          | Tilt Stand  | Tilt, Swivel, Pan-tilt         |
| Accessories              | Power cord × 2, DVI cable × 2, DisplayPort cable × 2, USB cable × 2, Operation manual, Installation manual, Software (QA Medivisor Agent LE)                                    |                                |

## Dimensions (mm)



## Options

### Calibration Kit CAL-016

- QA and calibration software [QA Medivisor Agent]
- Calibration sensor



### Safety Precautions

- Please read the user's manual for safe and proper use.
- Do not expose the product to dust, moisture, steam, or oily smoke. It could cause fire, electric shock, or a failure.

Please contact our distributor below with inquiries and orders.

Healthcare Business Division  
JVC KENWOOD Corporation  
3-12, Moriya-cho, Kanagawa-ku, Yokohama-shi, Kanagawa, 221-0022, JAPAN  
TEL: +81-45-450-1908 FAX: +81-45-450-1926  
Email: medical-display.j@jvckenwood.com  
JVC Healthcare Website: <http://healthcare.jvc.com/>