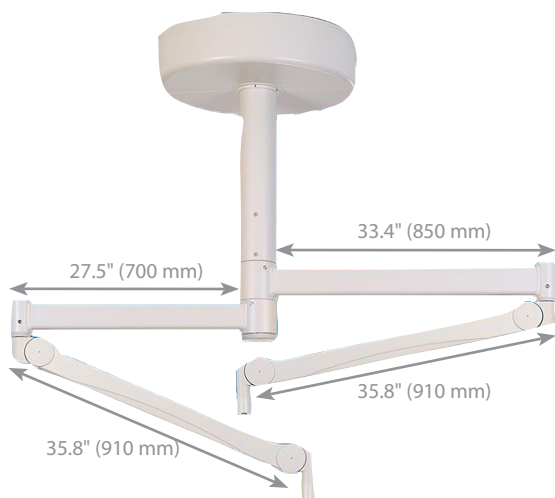


VT Spring Arm Specifications



Features:

- Precision parallel guide ensures uniform alignment of medical equipment
- Various height adjustment options
- High quality bearings designed for ease of maneuvering of VT arm
- Power and signal transfer with the 3- or 5-pole commutators allows a pivoting angle of more than 360 degrees
- Interior routing of cables avert electrical hazards
- Designed for infection control
- Available in Single, Dual, Triple and Quad Arm system
- **Maximum Service Load:** 65 lbs
- **Extension Arm Brakes:** Friction
- **Extension Arm Lengths:** 700, 850, 1000 and 1150 mm
- **Spring Arm Lengths:**
 - 910/805 mm
 - 930/706.5 mm
 - 988 mm
- **Configuration:**
 - Ceiling Mounted
 - Wall Mounted
- **Height Adjustability:** 45° - 50° (Restrictions apply)
- **Swivel Angle Radius:** 330°

Adapter Elements Available:

Flat Panel Monitor (Single/Dual)



Medical Lights



Trays

