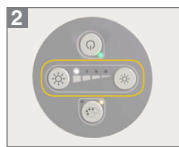
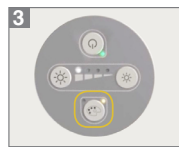


1 Switch on the light at lighthead.



2 Set the required luminosity in 20% dimmer steps.



3 Set the required color.

Powerful LED's provide 60,000 Lux in this new innovative exam light. The Gamma 60 LED is maintenance free and suitable for any type of exam room. The light comes with four dimming levels, two color shades, an antimicrobial finish and a 360° rotary lighthead. The Gamma 60 LED can be ceiling mounted, rail mounted or on a roll stand to meet all your room requirements.

Features:

Fitted With: 1 x LED module

Luminous Power: 60 000 Lux / 0.5 m (19.7")

Illuminance Field 0.5 M: Ø 21 cm (8.3")

Color Temperature: 3500 K & 4500 K

Work Equipment: Electronic converter

Connected Load: 100-240 V; 50/60 Hz

Mains Lead: 1.8 m (5.9 ft) Hospital Grade Plug

Luminaire Body: polycarbonate and acrylonitrile butadiene styrene copolymer (PC & ABS)

Weight (NET): 2.0 kg (4.4 lbs)

Power Consumption: 21 W

Usage: Keypad at luminaire head

Balance of Articulation Joints: Spring

Class Of Protection: II

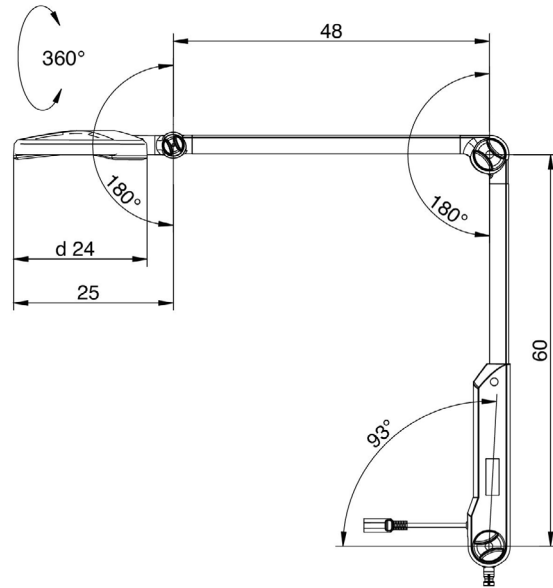
Accessory: roll stand with removal protection, rail fastening with removal protection, table clamp with removal protection, wall bracket with removal protection

Norms: EN 60601-1, EN 60601-2-41

Special Features: 2 color shades, 4 dimming levels, antimicrobial, rotary feedthrough (360° turnover axis)

System of Protection: IP 20

Dimensions



Series	Arm	Mounting Options	Rail Type
L-GLED60	AB Articulating	RH Rail Mount, Horizontal	A Amico Rail (For Rail Mount Only)
		RV Rail Mount, Vertical	F Fairfield Rail (For Horizontal Mount Only)
		RM Rail Mount	X Others
		FX Floorstand	
		WX Wall Mount	
		CM Ceiling Mount	

Ordering Guide

AB: Articulating Arm

L-GLED60-

-

-

RH: Rail Mount, Horizontal

RV: Rail Mount, Vertical

RM: Rail Mount

FX: Floorstand

WX: Wall Mount

CM: Ceiling Mount

A: Amico Rail (For Rail Mount Only)

F: Fairfield Rail (For Horizontal Mount Only)

X: Others

For Example: L-GLED60-AB-RV-X

Gamma 60 LED Series, Articulating Arm, Vertical Rail Mount

NOTE: North American: 120 V and 277 V; International: 230 V

Amico Lights Corporation 85 Fulton Way, Richmond Hill, ON L4B 2N4, Canada

Toll Free Tel: 1.877.462.6426 | Toll Free Fax: 1.866.440.4986 | Tel: 905.764.0800 | Fax: 905.764.0862

www.amico.com