



Features:

Fitted With: 1 x LED module

Luminous Power: 40,000 Lux / 19.7" (0.5m)

Illuminance Field 0.5 M: Ø 18 cm (7.1")

Color Temperature: 4,400 K

Work Equipment: Electronic converter

Connected Load: 120 V; 50/60 Hz

Mains Lead: 1.8 m (5.9 ft) Hospital grade plug

Luminaire Body: Polycarbonate (PC)

Weight (NET): 3.1 lbs (1.4 kg)

Power Consumption: Approximately 13 W

Class Of Protection: II

Norms: EN 60601-1, EN 60601-2-41

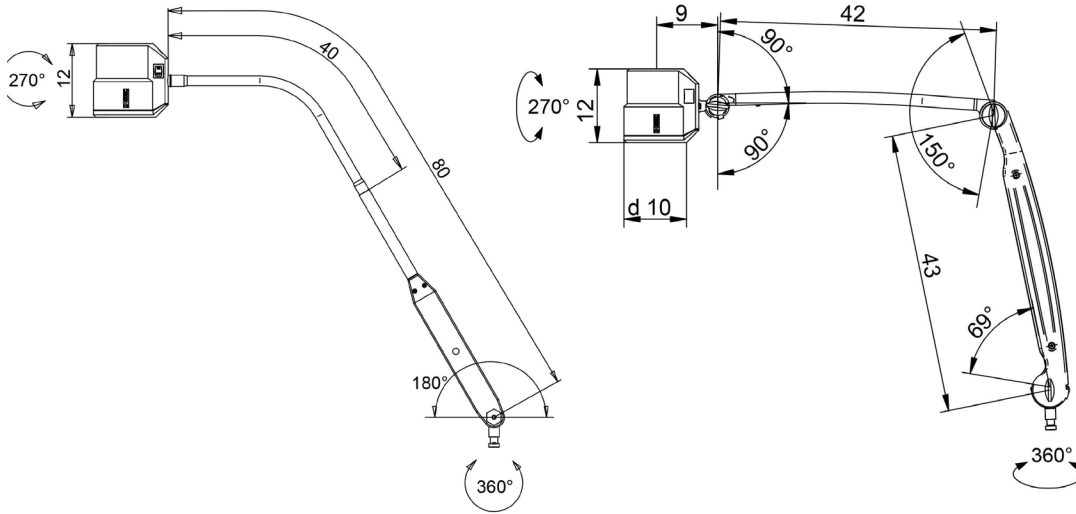
Special Features: Switchable and maintenance free

Fastening:

- Rail mount included for rail mounted light
- Floor stand included for floor stand light

Seven powerful LEDs provide approximately 40,000 lux of light for this new, innovative exam light. The Gamma 40 is maintenance-free and suitable for any type of exam room. The switch on the head of the lamp allows for ease of use, while the optional gooseneck arm offers simple positioning and movement of the light. Also, heat from the light is dissipated to the back of the head and away from the user.

Dimensions



| Series | Arm | Mounting Options | Rail Type |
|-----------------|------------------------|----------------------------------|---|
| L-GLED40 | AB Articulating | RH Rail Mount, Horizontal | A Amico Rail (For Rail Mount Only) |
| | GB Goose | RV Rail Mount, Vertical | F Fairfield Rail (For Horizontal Mount Only) |
| | | RM Rail Mount | X Others |
| | | FX Floorstand | |
| | | WX Wall Mount | |

Ordering Guide

AB: Articulating Arm
GB: Gooseneck Arm

L-GLED40-

-

-



RH: Rail Mount, Horizontal
RV: Rail Mount, Vertical
RM: Rail Mount
FX: Floorstand
WX: Wall Mount

A: Amico Rail (For Rail Mount Only)
F: Fairfield Rail (For Horizontal Mount Only)
X: Others

For Example: **L-GLED40-GB-FX-A**

Gamma 40 LED Seires, Gooseneck Arm, on Floorstand with Amico Rail

NOTE: North American: 120 V and 277 V; International: 230 V