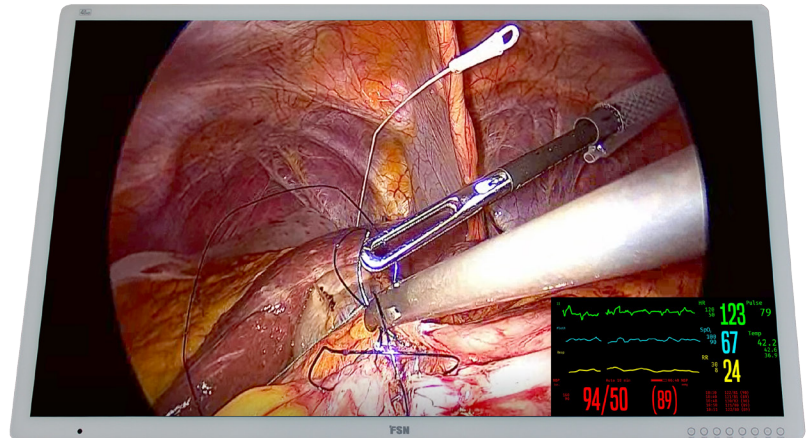


55" 4K UHD Medical Display



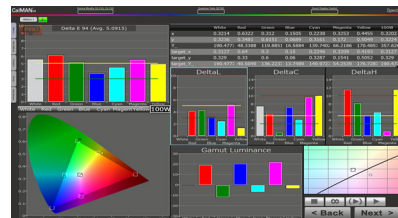
For precise instrument positioning and razor-sharp image clarity, look to FM-C5501DV, FSN's 55" surgical display. It allows doctors to focus on critically important procedure decisions, and offers outstanding color and performance. FM-C5501DV accurately presents recessed surgical site anatomy on its big screen, displaying life-like detail for an immersive experience. Multi-signal inputs allow for windowing options using picture-in-picture and picture-by-picture layouts.



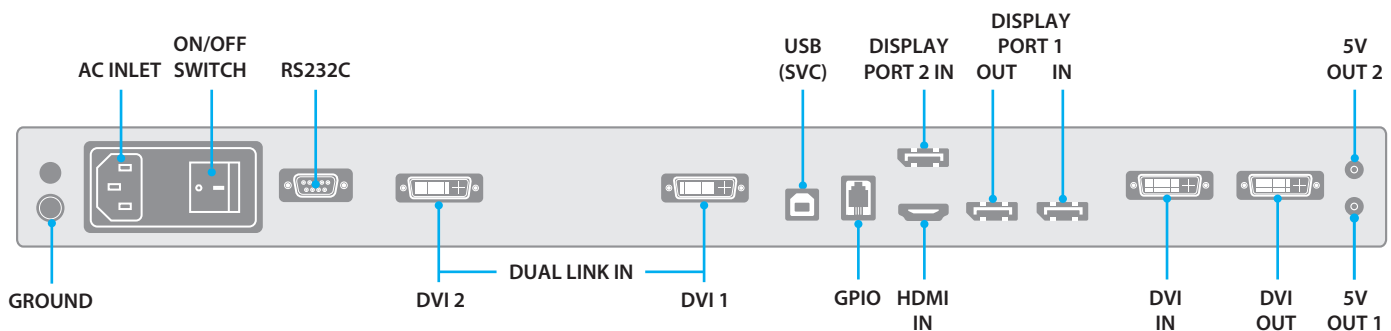
- Supports DisplayPort 1.2, HDMI 2.0, DVI, and DVI dual link
- Ultra-high resolution (3840 x 2160 pixels)
- View 4K UHD surgery information with incredible detail
- Panel quality ensures long operational life
- Edge-to-edge protective glass faceplate is easy to clean
- Hand remote for monitor control from a distance



Accurate Color Reproduction



FSN has implemented methods to fine-tune the properties of our displays. Distinct color space settings have been calibrated to well-known surgical color preferences.

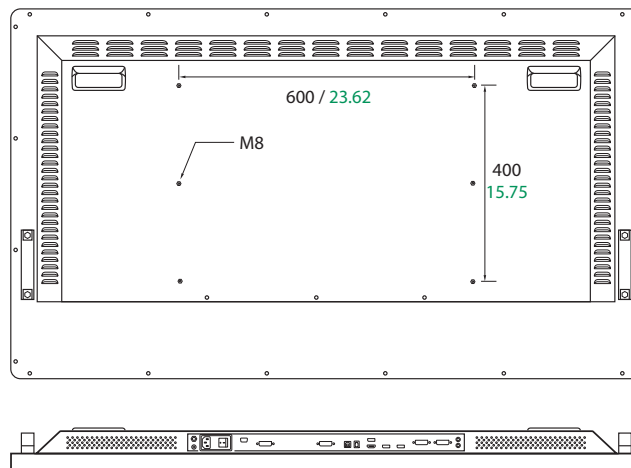
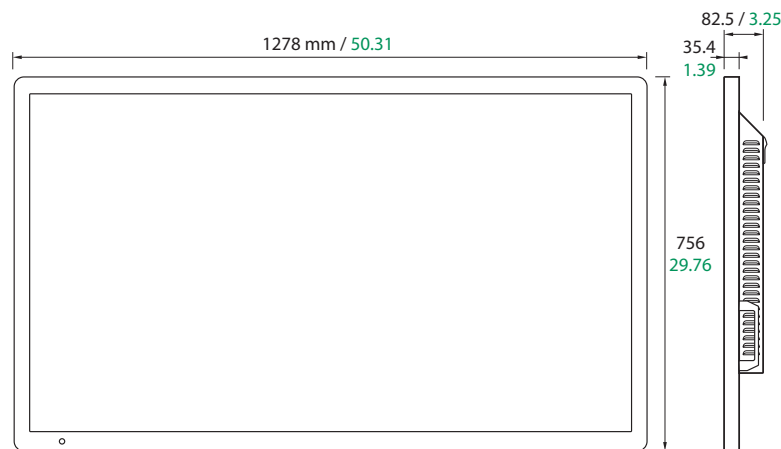


Specifications

General Features

Item	Description
Panel	55 inch TFT LCD (LED)
Resolution	3840 x 2160 pixel
Aspect Ratio	16 : 9
Active Area	1209.6 (H)mm x 680.4 (V)mm
Pixel Pitch (mm)	0.315 x 0.315
Response Time (typ.)	8 ms (gray to gray)
Number of Colors	16.7 Million
Brightness (typical)	500 cd/m ²
Contrast Ratio (typical)	4000 : 1
Viewing Angle (CR>10)	R/L 178°, U/D 178°
Input Signal	1 x HDMI 2.0 2 x DP 1.2 (SST)
	1 x DVI (single link) 2 x DVI (dual link)

Item	Description
Output Signal	1 x DVI (single link) 1 x DP 1.2 (SST)
Power Supply	SMPS (AC 90 ~270V)
Power Consumption	210W max
Control Key (touch)	Power, Menu, PIP, Up, Down, Plus, Minus, Input
Unit Dimension	1278(W) x 756(H) x 82.5(D) mm 50.31(W) x 29.76(H) x 3.25(D) inch
Package Dimension	1450(W) x 930(H) x 305(D) mm 57.09(W) x 36.61(H) x 12(D) inch
Weight	37.35 kg, 82.34 lbs. (monitor with cover) 50.35 kg, 111 lbs. (shipping package)
Certifications	ANSI/AAMI ES60601-1(UL60601-1), CAN/CSA C22.2 No. 60601-1, FCC Class B, EN60601-1, EN60601-1-2, CE, MDD(93/42/EEC) Class I Medical Device



Specifications are subject to change with or without notice. Doc. # FSN1998 Rev. 8/18

www.fsnmed.com

Foreseeson Custom Displays, Inc.
2210 E. Winston Road
Anaheim, CA 92806 USA
Tel: 714-300-0540
Fax: 714-300-0546

San Jose, CA Tel: 714-507-3851
Fort Lee, NJ Tel: 714-507-3852

Foreseeson Korea
404B, PangyoInnovalley B
253 Pangyo-ro
Bundang-gu Seongnam-si
Gyeonggi-do, Korea 463-400
Tel: +82-31-8018-0780
Fax: +82-31-8018-0786

Foreseeson GmbH
Industriestrasse 38a
63150 Heusenstamm, Germany
Tel: +49 6104 64398 0
Fax: +49 6104 64398 11

Foreseeson UK Ltd.
Unit 71 Barwell Business Park
Leatherhead Road
Chessington, Surrey KT9 2NY
Tel: +44 (0) 208 546 1047

Foreseeson (Shanghai)
Medical Equipment Co., Ltd.
Room 307, 3F
No. 56, 461 Hongcao Road
Caohejing Development District
Xuhui, Shanghai 200233
Tel: 86-21-6113-4188