

## 58" 4K Medical Display



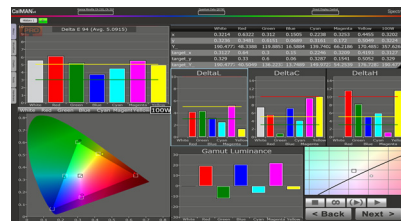
FSN has expanded its range of medical grade monitors to include FM-D5801DV, our largest display that can handle a vast array of tasks in the OR. From patient monitoring to endoscopic images to X-ray and ultrasound, this unit can show multiple screens at the same time on its large surface area. FM-D5801DV features 3,840 x 2,160 pixel resolution, high brightness, DICOM mode, and flush-front glass for easy cleaning. View all critical operating room information at once with this large screen display monitor.

- 4K UHD (3840 x 2160 pixels)
- DICOM mode
- Mounts to compatible booms or yokes
- Built to withstand rugged use and repeated cleaning
- Save custom user color settings

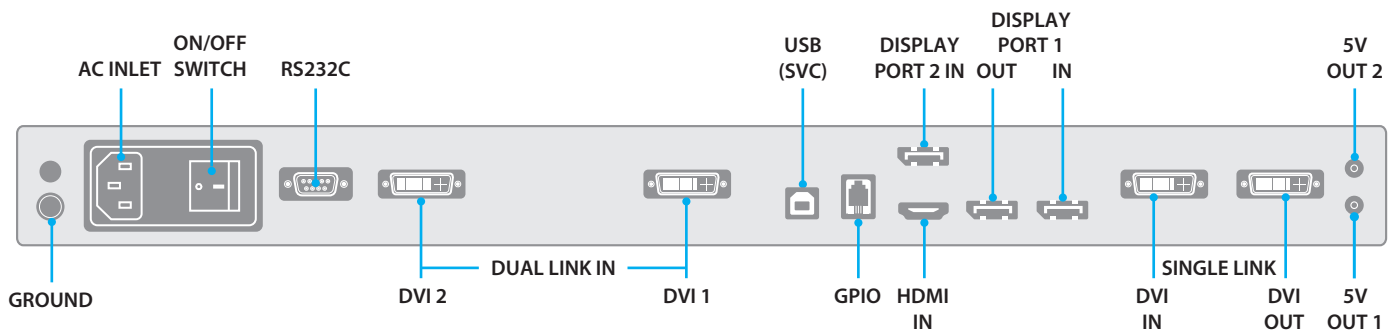


FM-D5801DV features signal inputs for HDMI, DVI, Dual Link DVI, and DisplayPort.

### Accurate Color Reproduction



FSN has implemented methods to fine-tune the properties of our displays. Distinct color space settings have been calibrated to well-known surgical color preferences.

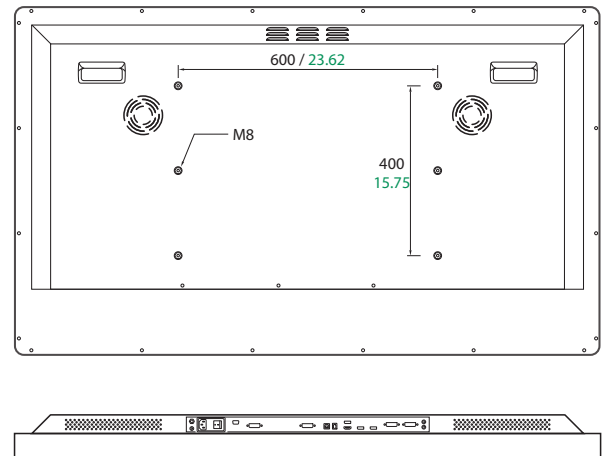
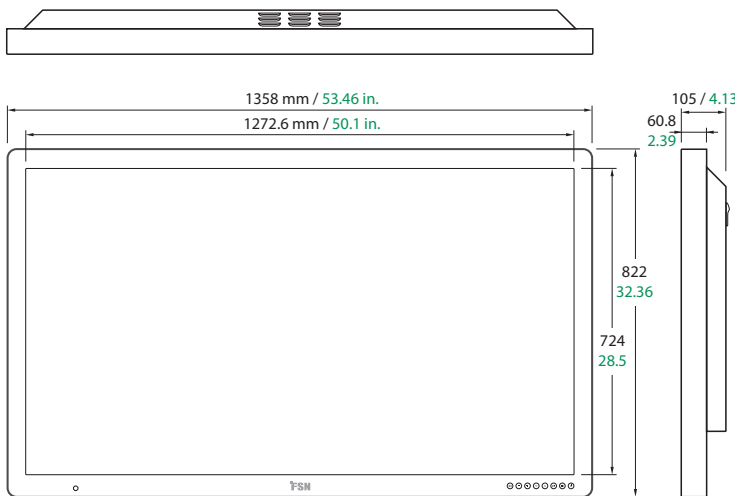


## Specifications

### General Features

Item	Description
Panel	58 inch TFT LCD (LED)
Resolution	3840 x 2160 pixel
Aspect Ratio	16 : 9
Input Signal	1 x HDMI 2.0 2 x DP 1.2 (SST) 1 x DVI (single Link) 2 x DVI (dual Link)
Output Signal	1 x DVI (single Link) 1 x DP 1.2 (SST)
Power Supply	SMPS (AC 90 ~270V)
Control Key (touch)	Power, Menu, PIP, Up, Down, Plus, Minus, Input
Unit Dimension	1358(W) x 822(H) x 105(D) mm 53.46(W) x 32.36(H) x 4.13(D) inch

Item	Description
Average Brightness	1000 cd/m <sup>2</sup>
Response Time (G-to-G)	9.5 ms (avg.)
Contrast Ratio	4000 : 1 typical
Pixel Pitch (mm)	0.33075 x 0.334
Viewing Angle (CR>10)	R/L 176, U/D 176
Weight	43 kg, 94.8 lbs. monitor only
IP Rating	IP20 (overall), IP42 (front side only)
DICOM mode	Yes
Certifications	ANSI/AAMI ES60601-1, CAN/CSA C22.2 No. 60601-1, FCC Class B, EN60601-1, EN60601-1-2, CE, MDD 93/42/EEC, Class I Medical Device



Specifications are subject to change with or without notice. Doc. # FSN1993 Rev. 5/18

www.fsnmed.com

Foreseeson Custom Displays, Inc.  
2210 E. Winston Road  
Anaheim, CA 92806 USA  
Tel: 714-300-0540  
Fax: 714-300-0546

San Jose, CA Tel: 714-507-3851  
Fort Lee, NJ Tel: 714-507-3852

Foreseeson Korea  
404B, PangyoInnovalley B  
253 Pangyo-ro  
Bundang-gu Seongnam-si  
Gyeonggi-do, Korea 463-400  
Tel: +82-31-8018-0780  
Fax: +82-31-8018-0786

Foreseeson GmbH  
Industriestrasse 38a  
63150 Heusenstamm, Germany  
Tel: +49 6104 64398 0  
Fax: +49 6104 64398 11

Foreseeson UK Ltd.  
Unit 71 Barwell Business Park  
Leatherhead Road  
Chessington, Surrey KT9 2NY  
Tel: +44 (0) 208 546 1047

Foreseeson (Shanghai)  
Medical Equipment Co., Ltd.  
Room 307, 3F  
No. 56, 461 Hongcao Road  
Caohejing Development District  
Xuhui, Shanghai 200233  
Tel: 86-21-6113-4188