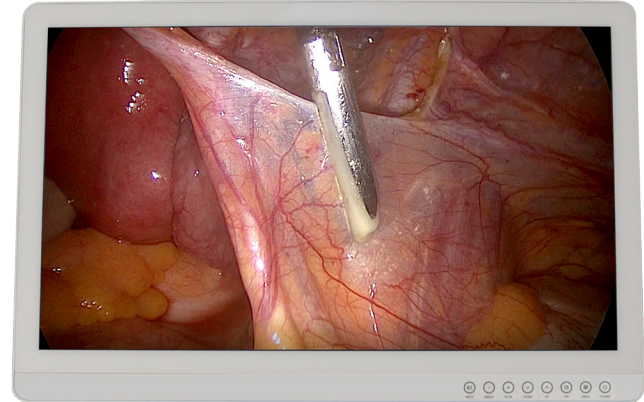


27" 4K Medical Display



FSN's new 27" 4K medical display transforms how ultra high definition images are seen in the clinical environment. With improved color depth and increased resolution, this display offers the ultimate in crystal clear sharpness and surgical site detail. The 4K UHD technology found inside FM-A2701D and FM-A2701DS gives medical professionals the confidence they need to accurately view and manipulate anatomy during endoscopic procedures.

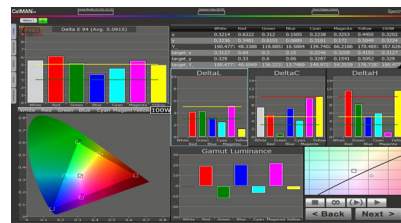
- 4K UHD (3840 x 2160 pixels), at 60 Hz, in the surgical suite
- Expanded color depth and procedure image clarity
- Ready, out of the box, for 4K endoscopy applications
- The sharpest possible image for surgical visualization
- High brightness LED technology
- Streamlined design - slim profile, narrow bezel



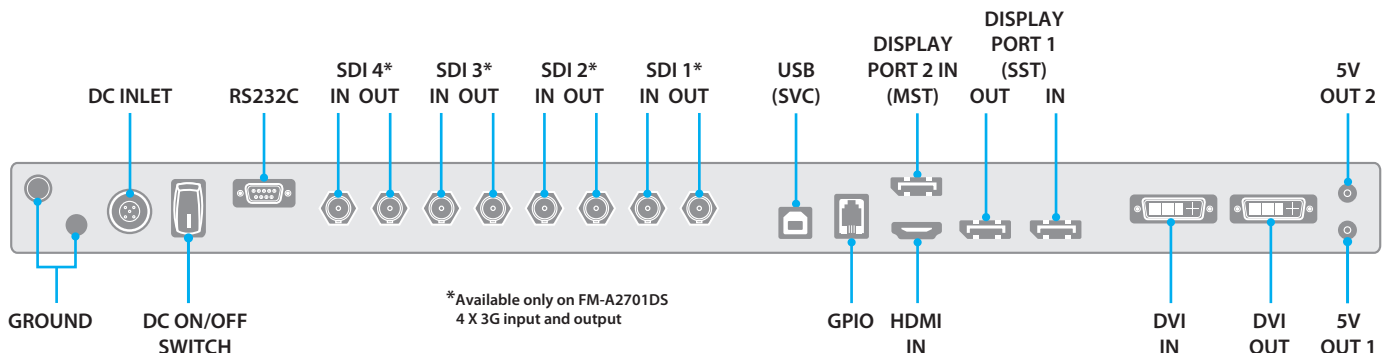
The FM-A2701D display features signal inputs for HDMI, DVI, and DisplayPort. SDI is available on FM-A2701DS. There is also DC out power for smaller components. This display monitor is ideal for showing super-sharp 4K surgical images, and mounting to most OR boom arm systems.



Accurate Color Reproduction



FSN has implemented methods to fine-tune the properties of our displays. Distinct color space settings have been calibrated to well-known surgical color preferences.

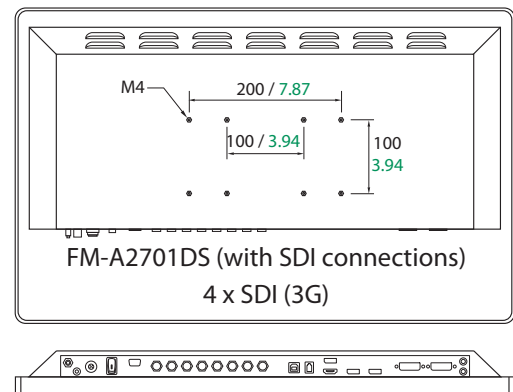
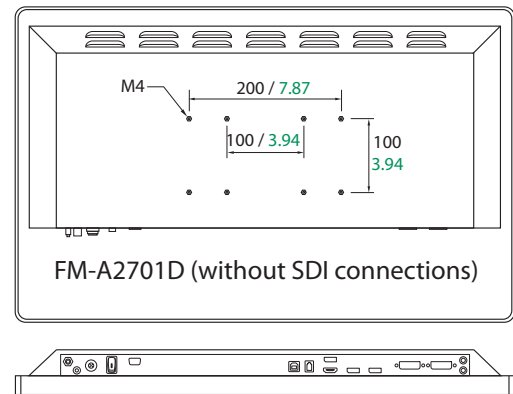
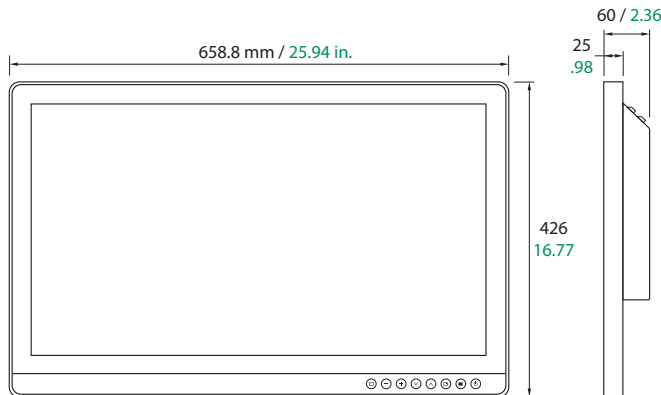


Specifications

General Features

Item	Description
Panel	27 inch TFT LCD (LED)
Resolution	3840 x 2160 pixel
Aspect Ratio	16 : 9
Active Area	596.74(H) x 335.66(V) mm
Input Signal	1 x HDMI 2.0
	1 x DP 1.2 (MST)
	1 x DP 1.2 (SST)
	1 x DVI (single Link)
Output Signal	4 x SDI (3G) Available only on FM-A2701DS
	1 x DVI (single Link)
	1 x DP 1.2 (SST)
	Available only on FM-A2701DS 4 x SDI (3G)
GPIO port	3 Function : Source change, Single/PBP/PIP select, Record indicator

Item	Description
Power Supply	AC/DC Adaptor (AC 100~240V, DC 24V/6.6A)
Control Key	Power, Menu, PIP, Up, Down, Plus, Minus, Input
Unit Dimension	658.8(W) x 426(H) x 60(D) (mm) 25.94(W) x 16.77(H) x 2.36(D) (inch)
Average Brightness	800 cd/ m ²
Response Time (G-to-G)	14 ms
Viewing Angle (CR>10)	R/L 178, U/D 178
Weight (with back cover)	FM-A2701D: 8.18 kg, 18.03 lbs FM-A2701DS: 8.8 kg, 19.4 lbs
Contrast Ratio	1000 : 1 Typical
Pixel Pitch	0.1554(W)mm x 0.1554(H)mm
Certifications	ANSI/AAMI ES60601-1, CAN/CSA C22.2 No. 60601-1, FCC Class B, EN60601-1, EN60601-1-2, CE, MDD 93/42/EEC, Class I Medical Device



FSN utilizes a front panel process that improves picture quality. This LCD model uses enhanced bonding technology that shows measured

improvement in contrast ratio and brightness, plus improved humidity resistance and breakage resistance.