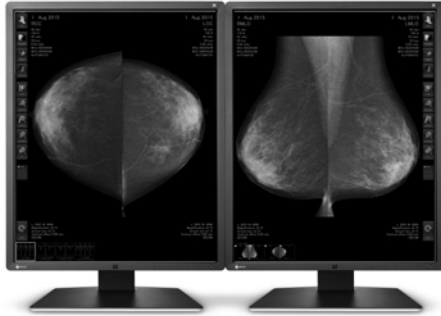




The high resolution and multiple grayscale support of this 5 megapixel monochrome monitor make it ideal for displaying digital mammography images. The exceptional image quality combined with the thin bezel design provides both precision and comfort when working with breast images.

- Achieve clarity true to the source data
- New user-friendly design with fresh, clean aesthetic
- Reduced size and thin bezels that save workspace
- Reduced power consumption with energy-efficient LED backlight
- Hassle-free multi-monitor configuration using a daisy chain
- Clearly visible mammography images with high resolution display
- Ease of spicule and microcalcification detection with a high contrast ratio
- Smooth gradations with 10-bit simultaneous grayscale display



RadiForce® GX550

Achieve Clarity True to the Source Data

A medical monitor needs to be capable of high brightness in order to meet performance standards. However, in order to achieve high brightness in an LCD panel, the pixel aperture ratio has to be increased. This causes a typically unavoidable decline in sharpness. With EIZO's unique Sharpness Recovery technology, the decrease in sharpness (MTF) is restored. This allows you to display an image safely on the monitor that is true to the original source data, even at high brightness levels.

Create the Ideal Environment

The black front bezels are ideal for viewing the screen in dark reading rooms, making it easier to focus on images, while the original white stripe around the sides of the monitor presents a fresh, clean aesthetic.

Save Work Space with Sleek Cabinet Design

The monitor's width, height, and depth were reduced by 21 mm, 36 mm, and 45.5 mm respectively – 28% less space than its predecessor, saving more workspace for other tasks. Reducing the width of the monitor's frame by approximately half reduces eye movement when comparing side-by-side images in a dual monitor configuration.

Save on Power Consumption

The monitor uses a new panel equipped with an energy-efficient LED backlight which reduces power consumption by 17% compared to its predecessor.

EIZO's internal measurement under GX550's recommended brightness of 600 cd/m².

Hassle-Free Multi-Monitor Configuration

Using the DisplayPort connection, you can drive several monitors in a daisy chain sequence. This allows you to configure a multi-monitor setup without the complicated hassle of excessive cabling.

View Mammography Images Clearly

5 megapixel monitors allow you to see smaller details that are essential in digital mammography. The high resolution retains important information to prevent decreased image quality and pixelation that occur when viewing at a lower resolution.

Clearly Distinguish Microcalcifications

To detect the smallest structures, the monitor offers a high contrast ratio to accurately render the finer details. The deeper black levels distinguish similar shades of gray for clearly identifying spicules and microcalcifications in monochrome images.

10-Bit Simultaneous Grayscale Display

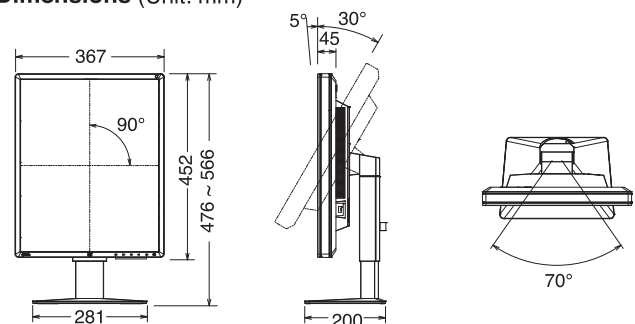
10-bit (1,024 tones) simultaneous grayscale display extends grayscale fidelity to the boundaries of human visual perception abilities and helps radiologists discern the finest nuances within an image.

10-bit graphics board and 10-bit viewer software needed for 10-bit display.

Specifications

Model Variations	GX550: Anti-Glare coating GX550-P: Anti-Glare coating, paring GX550-AR: Anti-Reflection coating GX550-AR-P: Anti-Reflection coating, paring	
Cabinet Color	Black	
Panel	Type	Monochrome (IPS)
	Backlight	LED
	Size	54.1 cm / 21.3"
	Native Resolution	2048 x 2560 (4:5 aspect ratio)
	Viewable Image Size (H x V)	337.9 x 422.4 mm
	Pixel Pitch	0.165 x 0.165 mm
	Grayscale Tones	10-bit (DisplayPort) : 1,024 from a palette of 16,369 tones 8-bit: 256 from a palette of 16,369 tones
	Viewing Angles (H / V, typical)	178° / 178°
	Brightness (typical)	2,000 cd/m ²
	Recommended Brightness for Calibration	600 cd/m ²
	Contrast Ratio (typical)	1500:1
Response Time (typical)	25 ms (on / off)	
Video Signals	Input Terminals	DVI-D (dual link) x 1, DisplayPort x 1
	Output Terminals	DisplayPort x 1 (daisy chain)
	Digital Scanning Frequency (H / V)	31 - 135 kHz / 23 - 61 Hz Frame synchronous mode: 23.5 - 25.5 Hz, 47 - 51 Hz
USB	Function	1 upstream, 2 downstream
	Standard	USB 2.0
Power	Power Requirements	AC 100 - 240 V: 50 / 60 Hz
	Maximum Power Consumption	95 W
	Typical Power Consumption	40 W
	Power Save Mode	Less than 1 W
Power Management	DVI DMPM, DisplayPort 1.2a	
Sensor	Backlight Sensor, Integrated Front Sensor, Presence Sensor, Ambient Light Sensor	
Features & Functions	Brightness Stabilization	Yes
	Digital Uniformity Equalizer	Yes
Functions	Preset Modes	CAL Switch
	OSD Languages	English, German, French, Italian, Japanese, Simplified Chinese, Spanish, Swedish, Traditional Chinese
Physical Specifications	Net Weight	8.1 kg
	Net Weight (Without Stand)	5.3 kg
	Hole Spacing (VESA Standard)	100 x 100 mm
Certifications & Standards	<i>(Please contact the EIZO group company or distributor in your country for the latest information.)</i> CE (Medical Device Directive), EN60601-1, ANSI/AAMI ES60601-1, CSA C22.2 No. 601-1, IEC60601-1, VCCI-B, FCC-B, CAN ICES-3(B), RCM, RoHS, China RoHS, WEEE, CCC, EAC	
FDA 510(k) Clearance	Pending (for Breast Tomosynthesis, Mammography, and General Radiography)	
Supplied Accessories	<i>(May vary by country. Please contact EIZO for details.)</i> AC power cord, dual link signal cable (DVI-D - DVI-D), signal cable (DisplayPort - DisplayPort), USB cable, Utility Disk (RadiCS LE, PDF instructions for use, PDF installation manual), instructions for use	
Warranty	Five Years	

Dimensions (Unit: mm)



EIZO Corporation

153 Shimokashiwano, Hakusan, Ishikawa 924-8566 Japan
Phone +81-76-277-6792 Fax +81-76-277-6793

www.eizoglobal.com

All product names are trademarks or registered trademarks of their respective companies. EIZO, RadiForce, RadiCS, and RadiNET are registered trademarks of EIZO Corporation. Specifications are subject to change without notice.

Copyright©2016 EIZO Corporation. All rights reserved. (160903)