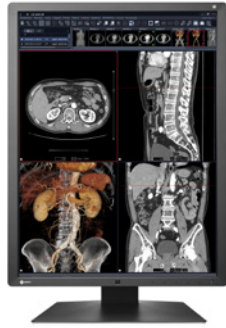


A 2 megapixel high-brightness color monitor ideal for the accurate display of CT, MRI, and CR grayscale images and color images such as 3D color rendering and nuclear medicine scans. Featuring a new design and unique EIZO technology, this monitor provides both comfort and image precision to medical professionals.

- Clearly defined images using EIZO's Sharpness Recovery technology
- New user-friendly design with fresh, clean aesthetic
- Reduced size and thin bezels that save workspace
- Reduced power consumption with energy-efficient LED backlight
- Reduced reflections for image clarity in environments with bright ambient lighting
- Hassle-free multi-monitor configuration using a daisy chain
- Effortless quality control with built-in calibration sensor
- Stable images across the screen with brightness uniformity
- Power conservation with integrated presence sensor



## RadiForce® RX250

### Sharpness Recovery

All high-brightness LCD panels exhibit a decrease in sharpness of the original image due to aperture ratio of the pixels becoming larger. EIZO's unique technology called Sharpness Recovery restores lost information in contours, resulting in an image shown with maximum clarity.

### Create the Ideal Environment

The black front bezels are ideal for viewing the screen in dark reading rooms, making it easier to focus on images, while the original white stripe around the sides of the monitor presents a fresh, clean aesthetic.

### Save Work Space with Sleek Cabinet Design

The monitor's width, height, and depth were reduce by 15 mm, 37.5 mm, and 45.5 mm respectively – 27% less space than its predecessor, saving more workspace for other tasks. Reducing the width of the monitor's frame reduces eye movement when comparing side-by-side images in a dual monitor configuration.

### Save on Power Consumption

The monitor uses a new panel equipped with an energy-efficient LED backlight which reduces power consumption by 27% compared to its predecessor.

*EIZO's internal measurement under the recommended brightness of 400 cd/m<sup>2</sup>.*

### Reduce Reflections for Image Clarity

Anti-reflection (AR) coating greatly reduces reflections caused by outside light without affecting the light emitting from the monitor. It also minimizes the loss of contrast that causes blacks to appear washed out with an anti-glare (AG) coating. This makes AR coating ideal for environments with bright ambient lighting.

### Hassle-Free Multi-Monitor Configuration

Using the DisplayPort connection, you can drive several monitors in a daisy chain sequence. This allows you to configure a multi-monitor setup without the complicated hassle of excessive cabling.

### Manage Effortless Quality Control

An Integrated Front Sensor (IFS) housed within the front bezel measures brightness and grayscale tones and calibrates to the DICOM Part 14 standard. The hands-free IFS performs quality control tasks and does not interfere with the viewing area while in use. This dramatically cuts the workload and maintenance costs needed for maintaining monitor quality control.

### Attain Steady Images Across the Screen

The Digital Uniformity Equalizer (DUE) function helps to even out fluctuations in brightness and chroma on different parts of the screen to provide smoother images, a quality typically difficult to attain due to the characteristics of LCD monitors.

### Conserve Energy While Away

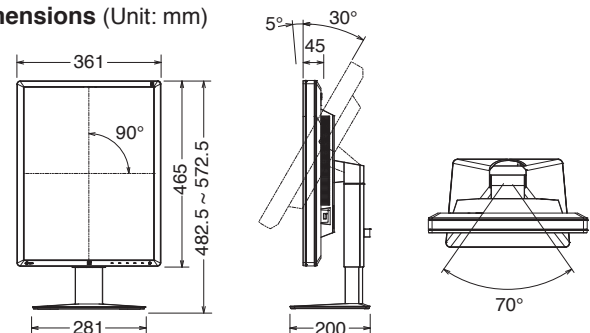
A presence sensor prompts the monitor to switch to power save mode when the user is away and resumes operation upon their return to conserve power when not in use. In the latest RadiForce models, the sensor detects the user's presence using a heat sensing method. This increases the range and angle of detection compared to conventional detection methods, making it effective when using multiple monitors.

## Specifications

|                            |                                                                                                                                                                                                                                                                                                                                             |
|----------------------------|---------------------------------------------------------------------------------------------------------------------------------------------------------------------------------------------------------------------------------------------------------------------------------------------------------------------------------------------|
| Model Variations           | RX250: Anti-Glare coating<br>RX250-AR: Anti-Reflection coating                                                                                                                                                                                                                                                                              |
| Cabinet Color              | Black                                                                                                                                                                                                                                                                                                                                       |
| Panel                      | Type Color (IPS)<br>Backlight LED<br>Size 54 cm / 21.3"<br>Native Resolution 1200 x 1600 (3:4 aspect ratio)<br>Viewable Image Size (H x V) 324.0 x 432.0 mm<br>Pixel Pitch 0.270 x 0.270 mm<br>Display Colors 10-bit colors (DisplayPort): 1.07 billion (maximum) colors<br>8-bit colors: 16.77 million from a palette of 68 billion colors |
|                            | Viewing Angles (H / V, typical) 178° / 178°<br>Brightness (typical) 800 cd/m <sup>2</sup><br>Recommended Brightness for Calibration 400 cd/m <sup>2</sup><br>Contrast Ratio (typical) 1400:1<br>Response Time (typical) 20 ms (on / off)                                                                                                    |
| Video                      | Input Terminals DVI-D x 1, DisplayPort x 1                                                                                                                                                                                                                                                                                                  |
| Signals                    | Output Terminals DisplayPort x 1 (daisy chain)<br>Digital Scanning Frequency (H / V) 31 - 100 kHz / 59 - 61 Hz<br>Frame synchronous mode: 59 - 61 Hz                                                                                                                                                                                        |
| USB                        | Function 1 upstream, 2 downstream<br>Standard USB 2.0                                                                                                                                                                                                                                                                                       |
| Power                      | Power Requirements AC 100 - 240 V: 50 / 60 Hz<br>Maximum Power Consumption 79 W<br>Typical Power Consumption 38 W<br>Power Save Mode Less than 1 W<br>Power Management DVI DMPM, DisplayPort 1.2a                                                                                                                                           |
| Sensor                     | Backlight Sensor, Integrated Front Sensor, Presence Sensor, Ambient Light Sensor                                                                                                                                                                                                                                                            |
| Features & Functions       | Brightness Stabilization Yes<br>Digital Uniformity Equalizer Yes<br>Preset Modes CAL Switch<br>OSD Languages English, German, French, Italian, Japanese, Simplified Chinese, Spanish, Swedish, Traditional Chinese                                                                                                                          |
| Physical                   | Net Weight 8.2 kg                                                                                                                                                                                                                                                                                                                           |
| Specifications             | Net Weight (Without Stand) 5.4 kg<br>Hole Spacing (VESA Standard) 100 x 100 mm                                                                                                                                                                                                                                                              |
| Certifications & Standards | CE (Medical Device Directive), EN60601-1, ANSI/AAMI ES60601-1, CSA C22.2 No. 601-1, IEC60601-1, VCCI-B, FCC-B, CAN ICES-3(B), RCM, RoHS, China RoHS, WEEE, CCC, EAC<br><i>(Please contact the EIZO group company or distributor in your country for the latest information.)</i>                                                            |
| FDA 510(k) Clearance       | Yes (for General Radiography*)                                                                                                                                                                                                                                                                                                              |
| Supplied Accessories       | AC power cord, signal cables (DVI-D - DVI-D, DisplayPort - DisplayPort), USB cable, Utility Disk (RadiCS LE, PDF instructions for use, PDF installation manual), instructions for use<br><i>(May vary by country. Please contact EIZO for details.)</i>                                                                                     |
| Warranty                   | Five Years                                                                                                                                                                                                                                                                                                                                  |

\*Display of mammography images for diagnosis is not supported.

## Dimensions (Unit: mm)



## EIZO Corporation

153 Shimokashiwano, Hakusan, Ishikawa 924-8566 Japan  
Phone +81-76-277-6792 Fax +81-76-277-6793

www.eizo.com

All product names are trademarks or registered trademarks of their respective companies. EIZO, RadiForce, RadiCS, and RadiNET are registered trademarks of EIZO Corporation. Specifications are subject to change without notice.

Copyright©2016 EIZO Corporation. All rights reserved. (160202C)