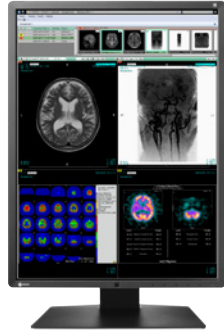




A 3 megapixel high-brightness monitor ideal for accurate display of chest X-ray, CR, and DR grayscale images and color images such as 3D rendering and image fusion. Featuring a new design and unique EIZO technology, this monitor provides both comfort and image precision to medical professionals.

- Clearly defined images using EIZO's Sharpness Recovery technology
- New user-friendly design with fresh, clean aesthetic
- Reduced size and thin bezels that save workspace
- Reduced power consumption with energy-efficient LED backlight
- Reduced reflections for image clarity
- Hassle-free multi-monitor configuration using a daisy chain
- Effortless quality control with built-in calibration sensor
- Stable images across the screen with brightness uniformity
- Power conservation with integrated presence sensor



## RadiForce® RX350

### Sharpness Recovery

All high-brightness LCD panels exhibit a decrease in sharpness of the original image due to aperture ratio of the pixels becoming larger. EIZO's unique technology called Sharpness Recovery restores lost information in contours, resulting in an image shown with maximum clarity.

### Create the Ideal Environment

The black front bezels are ideal for viewing the screen in dark reading rooms, making it easier to focus on images, while the original white stripe around the sides of the monitor presents a fresh, clean aesthetic.

### Save Work Space with Sleek Cabinet Design

The monitor's size was reduced by 22 mm, 39 mm, and 45.5 mm respectively – 30% less space than its predecessor, saving more workspace for other tasks. Reducing the width of the monitor's frame by approximately half reduces eye movement when comparing side-by-side images in a dual monitor configuration.

### Save on Power Consumption

The RadiForce RX350 uses a new panel equipped with an energy-efficient LED backlight which reduces power consumption by 30% compared to its predecessor. EIZO's internal measurement under RX350's recommended brightness of 500 cd/m<sup>2</sup>.

### Reduce Reflections for Image Clarity

Anti-reflection (AR) coating greatly reduces reflections caused by outside light without affecting the light emitting from the monitor. This makes AR preferred over AG (anti-glare) treatments which cause blacks to appear washed out due to diffusion of the backlight. Monitors with AR coating display chest X-ray and other high-resolution images with more clarity for accurate analysis.

### Hassle-Free Multi-Monitor Configuration

Using the DisplayPort connection, you can drive several monitors in a daisy chain sequence. This allows you to configure a multi-monitor setup without the complicated hassle of excessive cabling.

### Manage Effortless Quality Control

An Integrated Front Sensor (IFS) housed within the front bezel measures brightness and grayscale tones and calibrates to the DICOM Part 14 standard. The hands-free IFS performs quality control tasks and does not interfere with the viewing area while in use. This dramatically cuts the workload and maintenance costs needed for maintaining monitor quality control.

### Attain Steady Images Across the Screen

The Digital Uniformity Equalizer (DUE) function helps to even out fluctuations in brightness and chroma on different parts of the screen to provide smoother images, a quality typically difficult to attain due to the characteristics of LCD monitors.

### Conserve Energy While Away

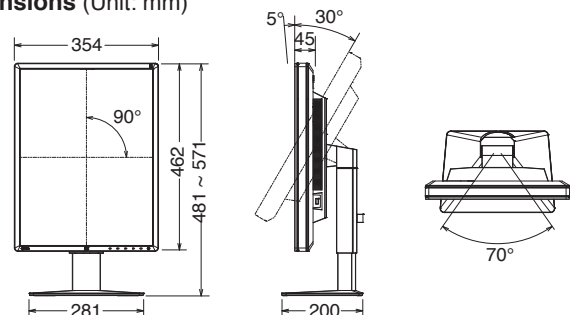
A presence sensor prompts the monitor to switch to power save mode when the user is away and resumes operation upon their return to conserve power when not in use, uniting convenience with savings.

## Specifications

Model Variations	RX350: Anti-Glare coating RX350-AR: Anti-Reflection coating
Cabinet Color	Black
Panel	Type Color (IPS) Backlight LED Size 54.1 cm / 21.3" Native Resolution 1536 x 2048 (3:4 aspect ratio) Viewable Image Size (H x V) 324.9 x 433.2 mm Pixel Pitch 0.2115 x 0.2115 mm Display Colors 10-bit colors (DisplayPort) : 1.07 billion (maximum) colors 8-bit colors: 16.77 million from a palette of 68 billion colors
	Viewing Angles (H / V, typical) 178° / 178° Brightness (typical) 1,000 cd/m <sup>2</sup> Recommended Brightness for Calibration 500 cd/m <sup>2</sup> Contrast Ratio (typical) 1500:1 Response Time (typical) 25 ms (on / off)
Video	Input Terminals DVI-D (dual link) x 1, DisplayPort x 1
Signals	Output Terminals DisplayPort x 1 (daisy chain) Digital Scanning Frequency (H / V) 31 - 127 kHz / 29 - 61.5 Hz Frame synchronous mode: 29.5 - 30.5 Hz, 59 - 61 Hz
USB	Function 1 upstream, 2 downstream Standard USB 2.0
Power	Power Requirements AC 100 - 240 V: 50 / 60 Hz Maximum Power Consumption 89 W Typical Power Consumption 46 W Power Save Mode Less than 1 W Power Management DVI DMPM, DisplayPort 1.2a
Sensor	Backlight Sensor, Integrated Front Sensor, Presence Sensor, Ambient Light Sensor
Features	Brightness Stabilization Yes & Digital Uniformity Equalizer Yes
Functions	Preset Modes CAL Switch OSD Languages English, German, French, Italian, Japanese, Simplified Chinese, Spanish, Swedish, Traditional Chinese
Physical	Net Weight 8.1 kg
Specifications	Net Weight (Without Stand) 5.3 kg Hole Spacing (VESA Standard) 100 x 100 mm
Certifications & Standards	CE (Medical Device Directive), EN60601-1, ANSI/AAMI ES60601-1, CSA C22.2 No. 601-1, IEC60601-1, VCCI-B, FCC-B, Canadian ICES-003-B, RCM, RoHS, China RoHS, WEEE, CCC, EAC
FDA 510(k) Clearance	Pending (for General Radiography*)
Supplied Accessories	AC power cord, dual link signal cable (DVI-D - DVI-D), signal cable (DisplayPort - DisplayPort), USB cable, Utility Disk (RadiCS LE, ScreenManager Pro for Medical, PDF instructions for use, PDF installation manual), instructions for use
Warranty	Five Years

\*Display of mammography images for diagnosis is not supported.

## Dimensions (Unit: mm)



## EIZO Corporation

153 Shimokashiwano, Hakusan, Ishikawa 924-8566 Japan  
Phone +81-76-277-6792 Fax +81-76-277-6793

www.eizoglobal.com

All product names are trademarks or registered trademarks of their respective companies. EIZO, RadiForce, RadiCS, and RadiNET are registered trademarks of EIZO Corporation. Specifications are subject to change without notice.

Copyright©2015 EIZO Corporation. All rights reserved. (151001)