

SYSTEM TWO
HALOGEN SERIES

Bovie[®]

SYSTEM TWO
HALOGEN Series

MULTI-FUNCTIONAL SURGERY LIGHTING



CONVENIENT

The SYSTEM TWO Halogen Series by Medical Illumination International offers multi-purpose configurations for your convenience

BRIGHT

The System Two Halogen Series produces up to 102,000 Lux* (9,500 foot candles*) at 1 meter

WHITE

The Halogen series has 4,000° Kelvin color temperature which provides excellent tissue rendition

CLEAR

Multi-faceted reflector design increases shadow reduction for enhanced visibility during surgery

VERSATILE

Two light-head diameters options (a 16" reflector and/or a 20" reflector), four-Stage dimming, a variety of mounting styles and a multitude of optional accessories offer the ultimate degree of office and surgery room capability

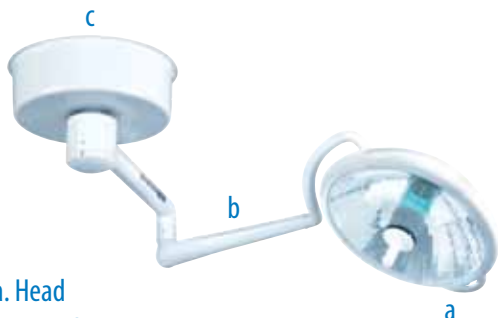
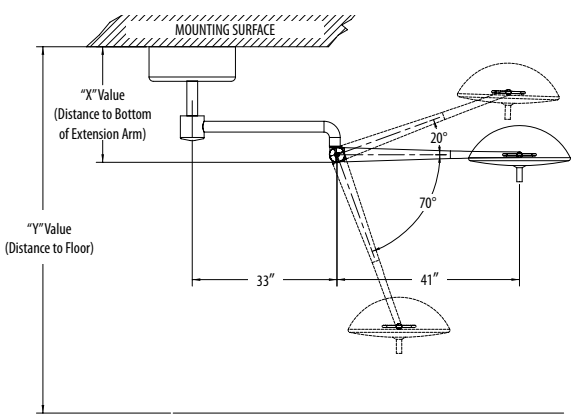
RELIABILITY

The System Two Halogen Series is backed by a three (3) year manufacturer's limited warranty






*Measurement based on S2S-20 light-head.

SURGICAL LIGHTING

SYSTEM TWO
HALOGEN SERIES
INCLUDES

Single Ceiling Mount Model	Rotation and Arm Movement
 <p>a. Head b. Articulating Arm c. Single Ceiling Mount</p>	
S2S-16 (16" Reflector) & S2S-20 (20" Reflector)	

OTHER SYSTEM TWO
HALOGEN MODELS
AVAILABLE

Wall Mount Model	Duo Ceiling Model	Portable Floor Model
 <p>S2WM-16 (16") or S2WM-20 (20")</p>	 <p>S2D-20 (20") & S2D-20 (20")</p>	 <p>S2FM-16 (16") & S2FM-20 (20")</p>
Wall Mount Monitor	Trio Ceiling Mount w/Video Camera	
 <p>S2WM-MA</p>	 <p>S2-20VC (20") & S2T-16VC (16") *Controller included with Video Camera</p>	

SYSTEM TWO
HALOGEN SERIES
TECHNICAL SPECIFICATIONS

Dimensions: S2S-20[†]		Rotations*:	
Ceiling casting	17.0" (431.8 mm) Dia x 4.7" (119.4 mm) deep	Ceiling mount/extension arm interface	Continuous
Ceiling rod	2.5" (63.5 mm) Dia x 9.0"-43.0" (228.6 - 1092.2 mm) long (depending on ceiling height)	Articulating/extension arm interface	Continuous
Arm Assembly	(to center of light-head) 74" (1,880 mm)	Articulating arm vertical movement	+20, -70 Degrees
Light head assembly	23.0" (584.2 mm) diameter x 9.5" (241.3 mm) deep	Articulating arm/Yoke interface	Continuous
Weight*:		Yoke/lamp head interface	+/- 150 Degrees
Solo ceiling mount assembly	Approximately 73.5 lbs (33.3 Kg)	Data*:	
Duo ceiling mount assembly	Approximately 104.5 lbs (47.4 Kg)	Light Source	Halogen Lamp
Trio ceiling mount assembly	Approximately 155.5 lbs (70.5 Kg)	Bulb Life in Hours	1,000 hours (average)
Light head assembly	Approximately 17.5 lbs (7.9 Kg)	Color Temperature	4000 Kelvin
[†] For the S2S-16 model technical specifications, contact your local Bovie Sales Rep.		Lux	102,000 Lux* (9,500 foot candles*)
		Input Voltage	100 - 240 VAC 50/60 Hz
		[*] Measurement based on S2S-20 light-head	

 **Made in the USA. The SYSTEM TWO Halogen Series is currently only available for sale in the USA.**



Bovie Medical Corporation • 5115 Ulmerton Road • Clearwater, FL 33760 • www.boviemed.com • sales@boviemed.com
U.S. Phone 1-800-537-2790 • Fax 1-800-323-1640 • Int'l Phone +1-727-384-2323 • Fax +1-727-347-9144

Bovie® is a registered trademark of Bovie Medical Corporation