



Diagnostic Monitor
RadiForce® GX240





2MP RadiForce[®] GX240



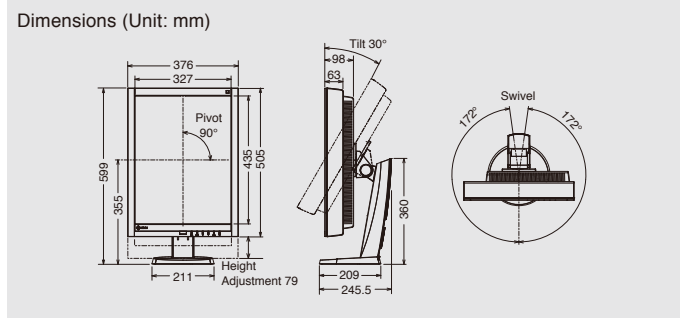
2 megapixel high-resolution diagnostic monochrome monitor ideal for a wide variety of tasks from viewing CR, DR, MRI and CT images to use as a PACS/HIS/RIS terminal. High-definition and multifunctional model featuring precise calibration compliant with the DICOM Part 14 standard.

- LED backlight offers long service life and reduction in power consumption*.
- Calibration simplified with Integrated Front Sensor (IFS) that is housed within the front bezel and measures brightness and grayscale tones according to a user-determined schedule.
- Integrated presence sensor unites convenience with energy savings by ensuring that the monitor automatically conserves power when it is not in use.
- Hybrid Gamma function automatically distinguishes the medical images from the non-medical areas such as the tool palettes and displays each area at its optimum brightness.
- 10-bit (1,024 tones) simultaneous grayscale display extends grayscale fidelity to the boundaries of human visual perception abilities.

* Based on the EIZO's internal measurement with the predecessor model under the same conditions.

Model Variations	GX240-CL: Clear Base GX240-CL-P: Pairing
Cabinet Color	Black
Panel Type	TFT Monochrome LCD Panel (IPS)
Panel Size	54 cm / 21.3" (540 mm diagonal)
Display Size (H x V)	324.0 x 432.0 mm
Pixel Pitch	0.270 x 0.270 mm
Native Resolution	1200 x 1600
Grayscale Tones	10-bit (DisplayPort): 1,024 from a palette of 16,369 tones 8-bit: 256 from a palette of 16,369 tones
Viewing Angles (H,V)	176°, 176°
Brightness (typical)	1,200 cd/m ²
Recommended Brightness for Calibration	500 cd/m ²
Contrast Ratio (typical)	1400:1
Response Time (typical)	40 ms (On/Off)
Scanning Frequency (H, V)	31 - 100 kHz, 59 - 61 Hz (VGA Text: 69 - 71 Hz) Frame synchronous mode: 59 - 61 Hz
Dot Clock	164.5 MHz
Input Terminals	DVI-D x 1, DisplayPort x 1
USB Ports / Standard	1 upstream, 2 downstream / Rev. 2.0
Power Requirements	AC 100 - 120 V, 200 - 240 V: 50 / 60 Hz
Maximum Power Consumption / Save Mode	85 W / Less than 1.6 W
Power Management	DVI DMPM, DisplayPort 1.1a
Sensor	Backlight Sensor, Integrated Front Sensor, Presence Sensor, Ambient Light Sensor

OSD Languages	English, French, German, Italian, Japanese, Simplified Chinese, Spanish, Swedish, Traditional Chinese
Net Weight (With Stand / Without Stand)	10.2 kg / 7.5 kg
Hole Spacing	VESA standard 100 x 100 mm
Certifications and Standards ¹	CE (Medical Device Directive), EN60601-1, UL60601-1, CSA C22.2 No. 601-1, IEC60601-1, VCCI-B, FCC-B, Canadian ICES-003-B, C-tick, RoHS, CCC, GOST-R
FDA 510(k) Clearance	Pending (for General Radiography ²)
Supplied Accessories	AC power cord, signal cable (DVI-D ~ DVI-D, DisplayPort ~ DisplayPort), USB cable, Utility Disk (RadiCS LE, ScreenManager Pro for Medical, user's manual), warranty card
Warranty	Five Years



¹ Please contact the EIZO subsidiary or distributor in your country for the latest information.

² Display of mammography images for diagnosis is not supported.



EIZO NANAO CORPORATION

153 Shimokashiwano, Hakusan, Ishikawa 924-8566 Japan
Phone +81-76-277-6792 Fax +81-76-277-6793

radiforce.com

All product names are trademarks or registered trademarks of their respective companies. EIZO, RadiForce, FlexScan, ScreenManager, RadiCS and RadiNET are registered trademarks of Eizo Nanao Corporation. Specifications are subject to change without notice.