



LMD-2110MD 21.5" HD Widescreen Medical LCD Monitor

The LMD-2110MD is a widescreen medical grade 21.5 inch monitor incorporating a Full HD TN (Twisted Nematic) type LCD panel that provides 1920 x 1080 pixel resolution. It is equipped with a 10-bit signal processor to reproduce lifelike images with smooth gradation and accurate color consistency. The monitor accepts a wide variety of SD signal inputs and features an HD signal input via either HDMI interface or analog component connectors. HD-SDI input is possible with the BKM-341HS option board. Its outstanding picture quality, versatile inputs, and lightweight compact design make it an ideal cost-effective choice for easy integration into a variety of applications such as a doctor's office or operating room.

- Multiple Input interfaces: Composite, Y/C, RGB/YPBPR, HDMI (compatible with DVI) as standard
- Optional Input interface: SD/HD-SDI input x1 with Optional Input Adaptor "BKM-341HS"
- Selectable color temperature settings
- On screen display (OSD) for seven languages
- Built-in green LED tally lamp to identify when images are captured or recorded
- Parallel remote control interface
- VESA mounting standard compliance (100 mm spacing)
- Built-in desktop stand with tilt function
- Compliance with medical safety standard UL60601-1

Specifications

Panel

Screen Size	21.5"
Panel Type	a-Si TFT Active Matrix, TN
Panel Resolution	FULL HD (1920 x 1080)
Effective Picture size (WxH/Diagonal)	477mm x 268mm / 547mm diagonal
Aspect	16:9
Display colors	Approx. 16,770,000 colors (6bit+fr)
Viewing Angle	170/160, Typical. CR≥10:1
Protection Panel	Not equipped

Signal

Signal Process	10 bit
----------------	--------

Input

LINE	Composite	BNC x1, 1Vp-p±3dB sync negative
	Y/C	4-pin mini-DIN x1
	Audio	Phono jack x1, -5 dBu 47 kilohms or higher
RGB/Component		BNC x3
	RGB	0.7Vp-p±3dB (Sync On Green, 0.3 Vp-p sync negative)
	Component	0.7Vp-p±3dB (75% chrominance standard color bar signal)
	Audio	Phono jack x1, -5 dBu 47 kilohms or higher
External Sync		BNC x1, 0.3 to 4.0 Vp-p ±bipolarity ternary or negative polarity binary
HDMI		HDMI x1

Option Input

BKM-341HS (Optional input adaptor)	D-sub 9pin x1, female
Option Audio input	Phono jack x1, -5 dBu 47 kilohms or higher

Remote

Parallel Remote	Modular connector 8pin x1
-----------------	---------------------------

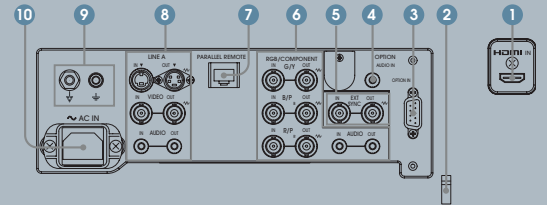
Output

LINE	Composite	BNC x1, Loop-through, with 75 ohms automatic terminal function
	Y/C	4-pin mini-DIN x1, Loop-through, with 75 ohms automatic terminal function
	Audio	Phono jack x1, Loop-through
RGB/Component		BNC x3, Loop-through, with 75 ohms automatic terminal function
	Audio	Phono jack x1, Loop-through
External Sync		BNC x1, Loop-through, with 75 ohms automatic terminal function
Speaker (Built-in)		0.5 W (mono)

General

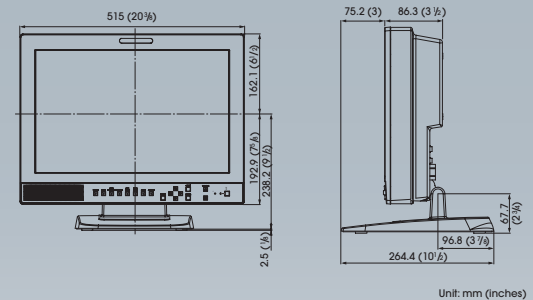
Power Requirement	AC100~240V, 50/60Hz
Power Consumption	Maximum : approx. 60W, 1.0A to 0.5A
Operating Conditions	
Temperature	0 °C to 35 °C (32 °F to 95 °F)
Recommended Temperature	20 °C to 30 °C (68 °F to 86 °F)
Humidity	30% to 85% (no condensation)
Pressure	700 hPa to 1060 hPa
Storage and Transport Conditions	
Temperature	-20 °C to +60 °C (-4 °F to 140 °F)
Humidity	0% to 90% (no condensation allowed)
Pressure	700 hPa to 1060 hPa
Accessories supplied	AC power cord (supplied)(1), AC plug holder (2), Instruction for Use (1), CD-ROM (1), Using the CD-ROM Manual (1), Quick Reference (1), When you First Use the Monitor (1), Sales Companies Guide (1), Warranty Card (1)
Optional Accessories	BKM-341HS (HD/SD-SDI Input Adaptor)

Connector Panel



- 1 HDMI IN connector
- 2 HDMI cable holder
- 3 OPTION In connector
- 4 OPTION AUDIO In (Phono jack)
- 5 EXT SYNC In/Out (external sync) (BNC)
- 6 RGB/COMPONENT (BNC), Audio (Phono jack)
- 7 PARALLEL REMOTE (modular connector)
- 8 LINE A [composite (BNC), Y/C (Mini DIN 4-pin), Audio (Phono jack)]
- 9 \downarrow/\uparrow (Equipotential/Ground) terminal
- 10 AC In

Dimensions: (wxhxd) mm (in)
Approx. 515 x 403 x 86.3 (20⁵/₁₆ x 15¹³/₁₆ x 3¹/₂)



Unit: mm (inches)

Weight: kg (lbs.)

Approx. 8.6 kg (18 lbs.15 oz.) with stand
Approx. 6.9 kg (15 lbs. 3 oz.) without stand

sony.com/medical

©2011 Sony Electronics Inc. All rights reserved. Reproduction in whole or in part without written permission is prohibited. All non-metric weights and measurements are approximate. Images on monitors are simulated. Sony, "make.believe", and their respective logos, are trademarks of Sony. VESA is a trademark of the Video Electronics Standards Association.

Caution: Federal (USA) law restricts this device to sale by or on the order of a physician or other appropriately licensed medical professional.
Caution: See product labeling for indications, contraindications, warnings, cautions and directions for use.

ME-LMD 2110 MD